



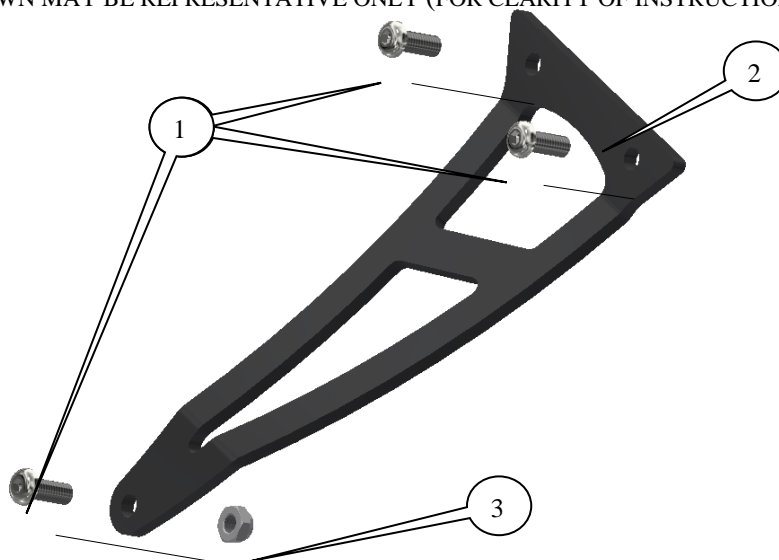
**FITTING INSTRUCTIONS FOR EH0084BK EXHAUST HANGER**  
**KAWASAKI Z900RS 2018-**



**THIS KIT CONTAINS THE ITEMS PICTURED AND LABELLED BELOW.**  
**DO NOT PROCEED UNTIL YOU ARE SURE ALL PARTS ARE PRESENT.**

Please note that the way the kit is packed does not necessarily represent the way of mounting to the bike.

THE PARTS SHOWN MAY BE REPRESENTATIVE ONLY (FOR CLARITY OF INSTRUCTIONS ONLY)





## **LEGEND**

ITEM 1 = M8 x 25mm LONG BUTTON HEAD BOLTS (x3).

ITEM 2 = EXHAUST HANGER (HB0084) (x1).

ITEM 3 = M8 NYLOC NUT (x1).

## **TOOLS REQUIRED**

- Set of metric Allen keys to include 5 & 6mm A/F sizes.
- Socket set to include 12 & 13mm socket & wrench.

Please note that in cases where kits are packed with rubber washers holding the components onto the bolt – *the rubber washers should be thrown away!*



PICTURE 1

## **FITTING INSTRUCTIONS**

- To fit the R&G Exhaust Hanger, the OEM pillion footrest mounting bracket needs to be removed.
- To do this, remove the two mounting bolts at the top of the pillion footrest mounting bracket, as arrowed in picture 1.
- Remove the exhaust mounting nut and bolt (arrowed in picture 1) and then remove the OEM pillion footrest mount from the bike.
- Take the R&G Exhaust Hanger and fit two of the M8 x 25mm long button head bolts (item 1) through the two top mounts of the exhaust hanger (item 2) and tighten into the threaded bosses on the subframe, as shown in the top picture.
- With the exhaust hanger on the bike, ensure the lower part of the exhaust hanger is on the outside of the exhaust mounting bracket, and fit the remaining M8 x 25mm long button head bolt (item 1) through the exhaust bracket and



then through the exhaust hanger mounting hole, before fitting the M8 nyloc nut (item 3) onto the exposed thread of the bolt and loosely tighten.

- Ensure the exhaust hanger is correctly fitted before tightening all three bolts.
- Please ensure when the motorcycle is being used that no parts are in such a position that they may collide/damage other bike parts (this is particularly important if using after-market cans or exhaust systems).

***Please note that it is your responsibility to ensure that no part of the exhaust hanger or exhaust assembly fouls or comes into contact with other parts of the machine. Do not ride the motorcycle until this aspect has been verified and you have compressed the rear suspension (if appropriate to the design of the motorcycle) to test this thoroughly.***

ISSUE 1 13/03/2018 (NSY)

#### **CONSUMER NOTICE**

The catalogue description and any exhibition of samples are only broad indications of the Products and R&G may make design changes which do not diminish their performance or visual appeal and supplying them in such state shall conform to the order. The Buyer acknowledges no representation or warranty (other than as to title) has been given or will apply to the Products other than those in R&G's order or confirmation and the Buyer confirms it has chosen the Products as being of merchantable quality and suitable for its particular purposes. Where R&G fits the Products or undertakes other services it shall exercise reasonable skill and care and rectify any fault free of charge unless the workmanship has been disturbed. The Buyer is responsible for ensuring that the warranty on the motorcycle is not affected by the fitting of the Products. On return of any defective Products R&G shall at its option either supply a replacement or refund the purchase money but shall not be liable if the Products have been modified or used or maintained otherwise than in accordance with R&G's or manufacturer's instructions and good engineering practice or if the defect arises from accident or neglect. Other than identified above and subject to R&G not limiting its liability for causing death and personal injury, it shall not be liable for indirect or consequential loss and otherwise its liability shall be limited to the amounts paid by the Buyer for the Products or the fitting or service concerned. These terms do not affect the Buyer's statutory rights.

#### **R&G RACING RETURNS POLICY (NON-FAULTY GOODS)**

Returns must be pre-authorized (if not pre-authorized the return will be rejected). Goods may only be returned direct to us if they were purchased direct from us (customer must prove if necessary). Otherwise to be returned to original vendor. Goods must be in re-sellable condition, in the opinion of R&G Racing. All returns are subject to a 25% restocking and handling fee (25% of the gross value exc. P&P – at the prevailing price at time of purchase). The customer must pay any and all carriage charges. No returns of discontinued products, unless within 14 days of purchase. This policy does not affect your statutory rights and does not refer to faulty goods.



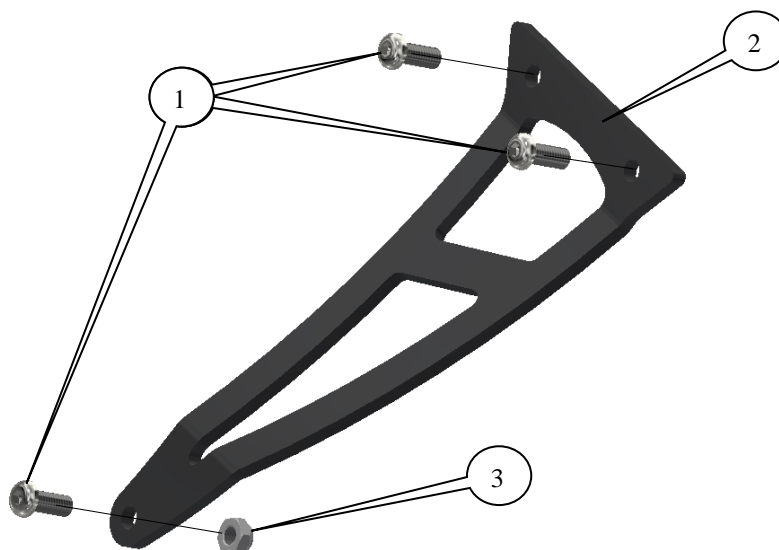
**NOTICE DE MONTAGE POUR EH0084BK SUPPORT POT D'ÉCHAPPEMENT  
KAWASAKI Z900RS 2018-**



**Le kit contient les articles exposés ci-dessous, vérifier que toutes les pièces soient présentes avant de procéder au montage.**

**La façon dont le kit est emballé ne correspond pas forcément à la façon de monter les pièces sur la moto.**

**LES PARTIES PRESENTÉES PEUVENT ÊTRE UNIQUEMENT REPRESENTATIVES (POUR LA CLARTE DES INSTRUCTIONS UNIQUEMENT)**





## LÉGENDE

ARTICLE 1 = M8 x 25mm BOULONS (x3).

ARTICLE 2 = SUPPORT D'ÉCHAPPEMENT (HB0084) (x1).

ARTICLE 3 = M8 ÉCROU (x1).

## OUTILS REQUIS

- Clés Allen 5 & 6mm
- Clé à cliquet + douilles 12 & 13mm

Notez que si les kits sont emballés avec des rondelles en caoutchouc servant à tenir les composants, *ces rondelles doivent être jetées !*



PICTURE 1

## NOTICE DE MONTAGE

- Pour monter le support pot d'échappement R&G, le support de fixation de repose pied passager d'origine doit être enlevé.
- Pour cela, enlever les 2 boulons de fixation sur le haut du support de fixation de repose pied passager, voir photo 1.
- Enlever l'écrou de fixation d'échappement et le boulon (photo 1) puis enlever le support repose pied passage d'origine de la moto
- Prendre le support d'échappement R&G et insérer les 2 boulons M8 x 25mm (article 1) dans les 2 supports supérieurs du support pot d'échappement (article 2) puis serrer dans les trous filetés du sous-cadre, voir photo du haut.
- Une fois le support pot d'échappement en place sur la moto, vérifier que la partie basse du support de pot d'échappement se situe à l'extérieur du support de fixation de pot d'échappement, puis insérer un boulon M8 x

R&G Racing

Unit 1, Shelley's Lane, East Worldham, Alton, Hampshire, GU34 3AQ

Tel: +44 (0)1420 89007 Fax: +44 (0)1420 87301 [www.rg-racing.com](http://www.rg-racing.com) Email: [info@rg-racing.com](mailto:info@rg-racing.com)





25mm (article 1) dans le support de pot d'échappement puis dans le trou de fixation du support de pot d'échappement, avant d'insérer un écrou M8 (article 3) sur le filetage exposé du boulon puis serrer légèrement.

- Veiller à ce que le support de pot d'échappement soit correctement monté, avant de serrer les 3 boulons.
- Veiller à ce qu'aucune partie de la moto ne puisse heurter d'autres parties de la moto lors de l'usage de la moto. (Cela est particulièrement important si le pot d'échappement n'est pas d'origine).

***Il est de votre responsabilité de veiller à ce qu'aucune partie du support de pot d'échappement ne puisse entrer en contact avec d'autres parties de la moto. Ne pas utiliser la moto tant que ce point n'a pas été vérifié, en ayant compresser l'amortisseur arrière (si le design de la moto le permet).***

ISSUE 1 13/03/2018 (NSY)

#### CONSUMER NOTICE

The catalogue description and any exhibition of samples are only broad indications of the Products and R&G may make design changes which do not diminish their performance or visual appeal and supplying them in such state shall conform to the order. The Buyer acknowledges no representation or warranty (other than as to title) has been given or will apply to the Products other than those in R&G's order or confirmation and the Buyer confirms it has chosen the Products as being of merchantable quality and suitable for its particular purposes. Where R&G fits the Products or undertakes other services it shall exercise reasonable skill and care and rectify any fault free of charge unless the workmanship has been disturbed. The Buyer is responsible for ensuring that the warranty on the motorcycle is not affected by the fitting of the Products. On return of any defective Products R&G shall at its option either supply a replacement or refund the purchase money but shall not be liable if the Products have been modified or used or maintained otherwise than in accordance with R&G's or manufacturer's instructions and good engineering practice or if the defect arises from accident or neglect. Other than identified above and subject to R&G not limiting its liability for causing death and personal injury, it shall not be liable for indirect or consequential loss and otherwise its liability shall be limited to the amounts paid by the Buyer for the Products or the fitting or service concerned. These terms do not affect the Buyer's statutory rights.

#### R&G RACING RETURNS POLICY (NON-FAULTY GOODS)

Returns must be pre-authorized (if not pre-authorized the return will be rejected). Goods may only be returned direct to us if they were purchased direct from us (customer must prove if necessary). Otherwise to be returned to original vendor. Goods must be in re-sellable condition, in the opinion of R&G Racing. All returns are subject to a 25% restocking and handling fee (25% of the gross value exc. P&P – at the prevailing price at time of purchase). The customer must pay any and all carriage charges. No returns of discontinued products, unless within 14 days of purchase. This policy does not affect your statutory rights and does not refer to faulty goods.

R&G Racing  
Unit 1, Shelley's Lane, East Worldham, Alton, Hampshire, GU34 3AQ  
Tel: +44 (0)1420 89007 Fax: +44 (0)1420 87301 [www.rg-racing.com](http://www.rg-racing.com) Email: [info@rg-racing.com](mailto:info@rg-racing.com)



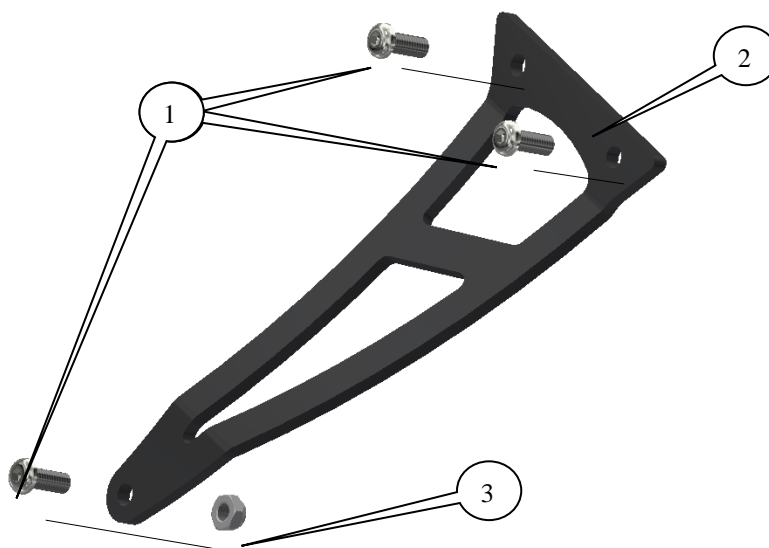
**MONTAGEANLEITUNG FÜR EH0084BK AUSPUFFHALTERUNG**  
**KAWASAKI Z900RS 2018-**



**ALLE KIT-TEILE SIND UNTEN ABGEBILDET UND GEKENNZEICHNET. BEVOR SIE MIT DER MONTAGE BEGINNEN, ÜBERPRÜFEN SIE, DASS ALLE TEILE VORHANDEN SIND.**

**Hinweis: Die Verpackung der Teile stellt nicht die Reihenfolge der Montage dar.**

**DIE UNTEN ABGEBILDETEN TEILE DIENEN LEDIGLICH ZUR ERKLÄRUNG**





## **LIEFERUMFANG**

ARTIKEL 1 = M8 x 25mm INBUSSCHRAUBE (x3)

ARTIKEL 2 = AUSPUFFHALTERUNG (HB0084) (x1)

ARTIKEL 3 = M8 SELBSTSICHERNDE MUTTER (x1)

## **SIE BENÖTIGEN FOLGENDES WERKZEUG**

- Satz Inbusschlüssel inkl. 5 & 6mm Inbusschlüsseln
- Satz Schraubenschlüssel mit 12 & 13mm Schraubenschlüsseln

Hinweis für Kits mit Plastikunterlegscheiben an den Schrauben – *Diese Plastikunterlegscheiben werden nicht für den Einbau benötigt!*



ABBILDUNG 1

## **MONTAGEANLEITUNG**

- Um die R&G Auspuffhalterung montieren zu können, müssen Sie die original Montagehalterung für die Beifahrer-Fußraste entfernen.
- Entfernen Sie daher die zwei oberen Montageschrauben an den Montagehalterungen für die Beifahrer-Fußraste – siehe Abbildung 1.
- Entfernen Sie die Montageschraube sowie die Mutter für den Auspuff (in Abbildung 1 markiert), und entfernen Sie anschließend die original Montagehalterung für die Beifahrer-Fußraste vom Motorrad.
- Nehmen Sie die R&G Auspuffhalterung und montieren Sie zwei der M8 x 25mm Inbusschrauben (Artikel 1) an den zwei oberen Halterungen der Auspuffhalterung (Artikel 2) – die Inbusschrauben in den Gewindeeinsätzen am Hilfsrahmen befestigen, wie in der oberen Abbildung abgebildet.





- Überprüfen Sie, dass das untere Teil der Auspuffhalterung an der Außenseite der Auspuff-Montagehalterung positioniert ist, und die übrige M8 x 25mm Inbusschraube (Artikel 1) zuerst durch die Auspuffhalterung, dann in die Montageöffnung für die Auspuffhalterung einführen, bevor Sie die M8 selbstsichernde Mutter (Artikel 3) am hervorstehenden Ende der Schraube anbringen und lose befestigen.
- Überprüfen Sie, dass die Auspuffhalterung ordnungsgemäß montiert ist, bevor Sie alle drei Schrauben festziehen.
- Bitte achten Sie darauf, dass keine Teile so angebaut werden, dass sie andere Teile des Motorrads beschädigen/berühren können (die ist besonders wichtig, wenn Sie einen Auspuff oder Endtopf aus dem Zubehörmarkt anbauen).

***Wichtiger Hinweis: Es obliegt Ihrer Verantwortung sicherzustellen, dass keine Teile der Auspuffhalterung oder Auspuffanlage mit anderen Teilen des Motorrads in Berührung kommen und/oder sie beschädigen. Fahren Sie nicht mit dem Motorrad bis dies sorgfältig überprüft wurde und Sie den hinteren Federweg genau kontrolliert haben (falls zutreffend, Modellabhängig).***

AUSGABE 1 13/03/2018 (NSY)

#### CONSUMER NOTICE

The catalogue description and any exhibition of samples are only broad indications of the Products and R&G may make design changes which do not diminish their performance or visual appeal and supplying them in such state shall conform to the order. The Buyer acknowledges no representation or warranty (other than as to title) has been given or will apply to the Products other than those in R&G's order or confirmation and the Buyer confirms it has chosen the Products as being of merchantable quality and suitable for its particular purposes. Where R&G fits the Products or undertakes other services it shall exercise reasonable skill and care and rectify any fault free of charge unless the workmanship has been disturbed. The Buyer is responsible for ensuring that the warranty on the motorcycle is not affected by the fitting of the Products. On return of any defective Products R&G shall at its option either supply a replacement or refund the purchase money but shall not be liable if the Products have been modified or used or maintained otherwise than in accordance with R&G's or manufacturer's instructions and good engineering practice or if the defect arises from accident or neglect. Other than identified above and subject to R&G not limiting its liability for causing death and personal injury, it shall not be liable for indirect or consequential loss and otherwise its liability shall be limited to the amounts paid by the Buyer for the Products or the fitting or service concerned. These terms do not affect the Buyer's statutory rights.

#### R&G RACING RETURNS POLICY (NON-FAULTY GOODS)

Returns must be pre-authorized (if not pre-authorized the return will be rejected). Goods may only be returned direct to us if they were purchased direct from us (customer must prove if necessary). Otherwise to be returned to original vendor. Goods must be in re-sellable condition, in the opinion of R&G Racing. All returns are subject to a 25% restocking and handling fee (25% of the gross value exc. P&P – at the prevailing price at time of purchase). The customer must pay any and all carriage charges. No returns of discontinued products, unless within 14 days of purchase. This policy does not affect your statutory rights and does not refer to faulty goods.

R&G Racing  
Unit 1, Shelley's Lane, East Worldham, Alton, Hampshire, GU34 3AQ  
Tel: +44 (0)1420 89007 Fax: +44 (0)1420 87301 [www.rg-racing.com](http://www.rg-racing.com) Email: [info@rg-racing.com](mailto:info@rg-racing.com)